

James, Kamilah

From: James, Kamilah
Sent: Thursday, October 02, 2008 8:59 AM
To: Luis.Valdez@helixwater.org
Cc: 'Tim Stanton'
Subject: Submittal to the Wet Utilities Subcommittee - Item 2008-11
Attachments: 2008-11 B.pdf; 2008-11 A.pdf

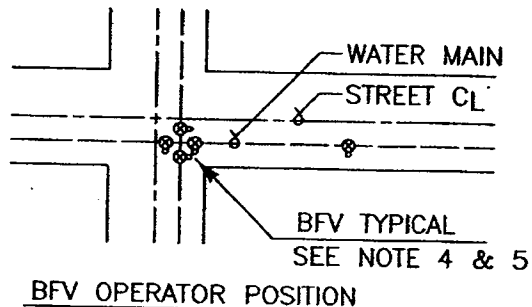
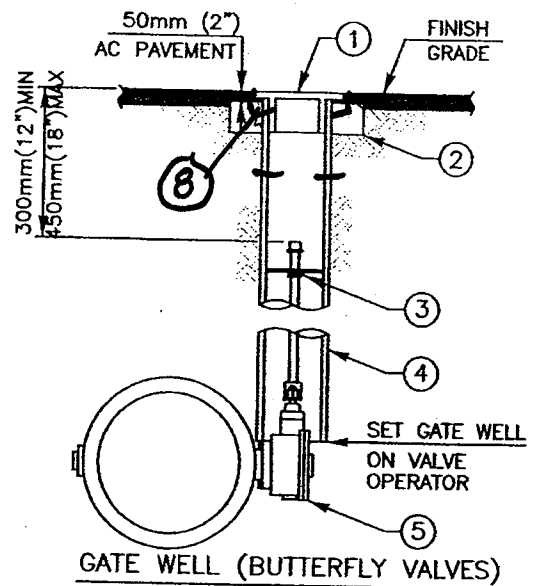
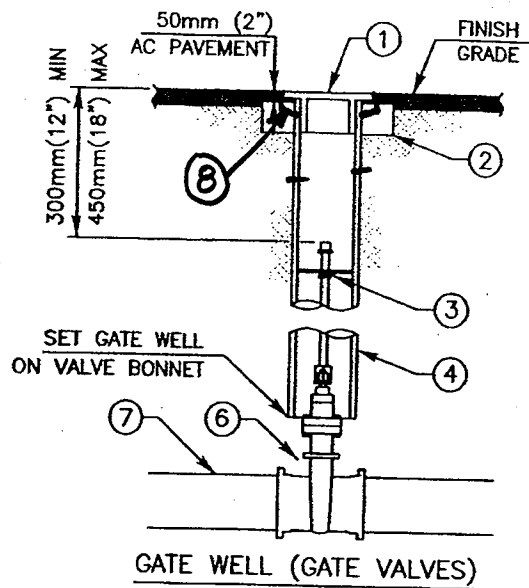
Luis:

Attached please find proposed revisions to WV-01 & WV-02. These were submitted to the Regional Standards Committee by John Thomas, County of San Diego and Bud Oliveira, City of Escondido. Please review and bring your subcommittee's recommendation to the general committee.

If you have any questions or need additional information, please call me at (859) 495-5288.

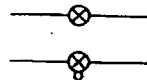
Thanks,

Kamilah James, P.E.
Civil Engineer
County of San Diego
Department of Public Works
Design Engineering & Capital Projects
(858) 495-5288
(858) 694-2499 fax



NOTES:

- 1) REFER TO AGENCY SPECIFICATIONS WHERE APPLICABLE
- 2) VALVES DEEPER THAN 1.5m (5') REQUIRE A VALVE STEM EXTENSION
- 3) EXTENSION STEMS SHALL NOT BE ATTACHED/BOLTED TO OPERATING NUT
- 4) GATE WELL AND CAP SHALL BE SET SO THAT NO MORE THAN TWO 25mm (1") ADJUSTMENT RINGS ARE USED
- 5) BFV OPERATORS TO BE LOCATED TO THE CURBLINE SIDE OF WATER MAIN
- 6) BFV'S INSTALLED AT CROSSES OR TEES REQUIRE A FLANGED DUCTILE IRON SPOOL TO BE INSTALLED BETWEEN THE FITTING AND VALVE IN ACCORDANCE WITH THE AGENCY'S SPECIFICATIONS
- 7) GATE WELLS AND CAPS SHALL BE IDENTIFIED AS DESCRIBED ON WV-03
- 8) FOR INLINE VALVE ANCHOR BLOCK INSTALLATION SEE WT-02
- 9) MATERIALS SHALL BE SELECTED FROM THE AGENCY'S APPROVED MATERIALS LIST



LEGEND ON PLANS

ITEM NO	SIZE AND DESCRIPTION	ITEM NO	SIZE AND DESCRIPTION
①	GATE WELL WITH CAP SEE NOTE 7	④	200mm (8") PVC CL 200, C-900 PIPE x REQUIRED LENGTH GATE WELL SEE NOTE 7
②	150mm (6") HIGH x 150mm (6") WIDE COMPACTED ASPHALT CONCRETE RING	⑤	BUTTERFLY VALVE
③	VALVE STEM EXTENSION SEE NOTES 2 & 3	⑥	RESILIENT WEDGE GATE VALVE
⑧	CAST IRON VALVE WELL FRAME PER WV-02	⑦	WATER MAIN

Revision	By	Approved	Date
ORIGINAL		Kercheval	12/75
Add Metric		I. Stanton	03/03
Repl. W-12A and W-12B		J. Tomosulo	10/04

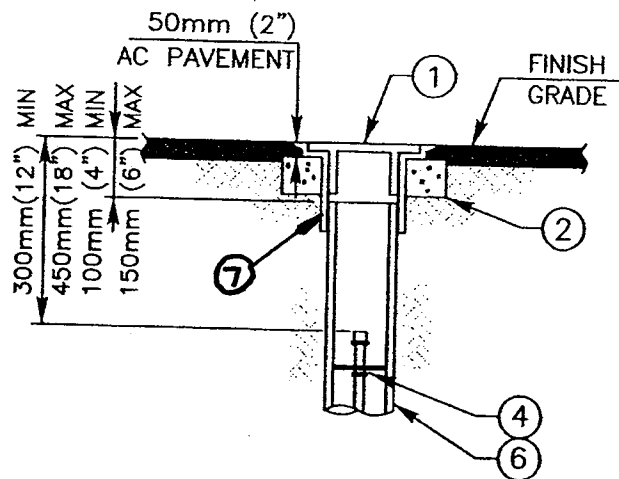
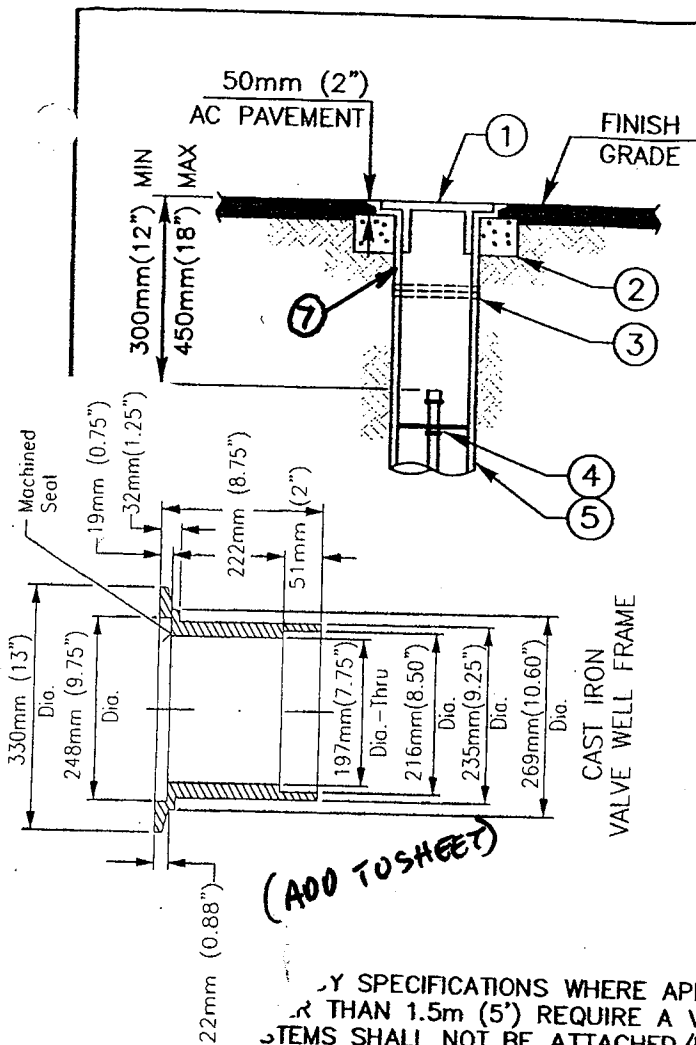
SAN DIEGO REGIONAL STANDARD DRAWING

GATE WELL CAP INSTALLATION, FOR VALVES 100mm (4") AND LARGER

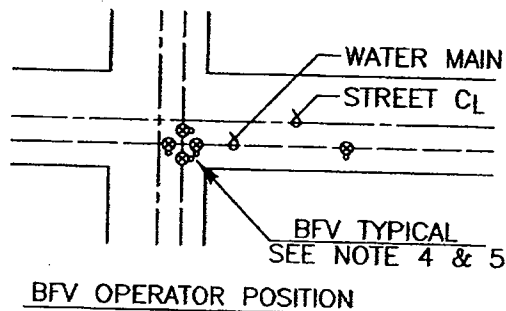
RECOMMENDED BY THE SAN DIEGO REGIONAL STANDARDS COMMITTEE

I. Stanton 10/28/2004
 Chairperson R.C.E. 19246 Date

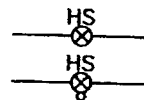
DRAWING NUMBER **WV-01**



6" GATE WELL TYPE B



- BY SPECIFICATIONS WHERE APPLICABLE
 MORE THAN 1.5m (5') REQUIRE A VALVE STEM EXTENSION
 SYSTEMS SHALL NOT BE ATTACHED/BOLTED TO OPERATING NUT
 ADJUSTMENT RINGS ARE USED
 4) GATE WELL AND CAP SHALL BE SET SO THAT NO MORE THAN TWO 25mm (1")
 5) BFV OPERATORS TO BE LOCATED TO THE CURBLINE SIDE OF WATER MAIN
 6) BFV'S INSTALLED AT CROSSES OR TEES REQUIRE A FLANGED DUCTILE IRON
 SPOOL TO BE INSTALLED BETWEEN THE FITTING AND VALVE IN ACCORDANCE
 WITH THE AGENCY'S SPECIFICATIONS
 7) GATE WELLS AND CAPS SHALL BE IDENTIFIED AS DESCRIBED ON WV-03
 8) FOR INLINE VALVE ANCHOR BLOCK INSTALLATION SEE WT-02
 9) GATE WELL TYPE AS APPROVED BY AGENCY
 10) MATERIALS SHALL BE SELECTED FROM THE AGENCY'S APPROVED MATERIALS
 LIST



LEGEND ON PLANS

ITEM NO	SIZE AND DESCRIPTION	ITEM NO	SIZE AND DESCRIPTION
①	GATE WELL WITH CAP SEE NOTE 7	④	VALVE STEM EXTENSION SEE NOTES 2 & 3
②	150mm (6") HIGH x 150mm (6") WIDE COMPACTED ASPHALT CONCRETE RING	⑤	200mm (8") PVC CL 200, C-900 PIPE x REQUIRED LENGTH GATE WELL SEE NOTE 7
③	CAULDER COUPLING PCC (560-C-3250)	⑥	150mm (6") PVC CL 200, C-900 PIPE x REQUIRED LENGTH GATE WELL SEE NOTE 7
⑦	CAST IRON VALVE WELL FRAME		

Revision	By	Approved	Date
ORIGINAL		Kercheval	12/75
Add Metric		T. Stanton	03/03
Repl. W-12A and W-12B		J. Tomasulo	10/04

SAN DIEGO REGIONAL STANDARD DRAWING

GATE WELL CAP & CAN INSTALLATION,
 FOR VALVES 100mm (4") AND LARGER

RECOMMENDED BY THE SAN DIEGO
 REGIONAL STANDARDS COMMITTEE

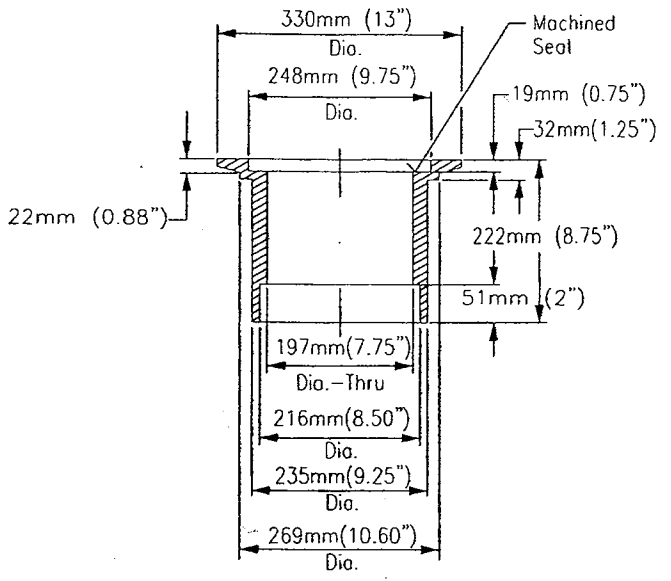
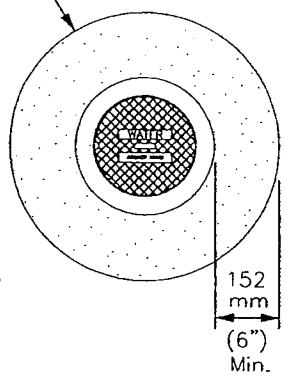
T. Stanton 10/28/2004

Chairperson R.C.E. 19246 Date

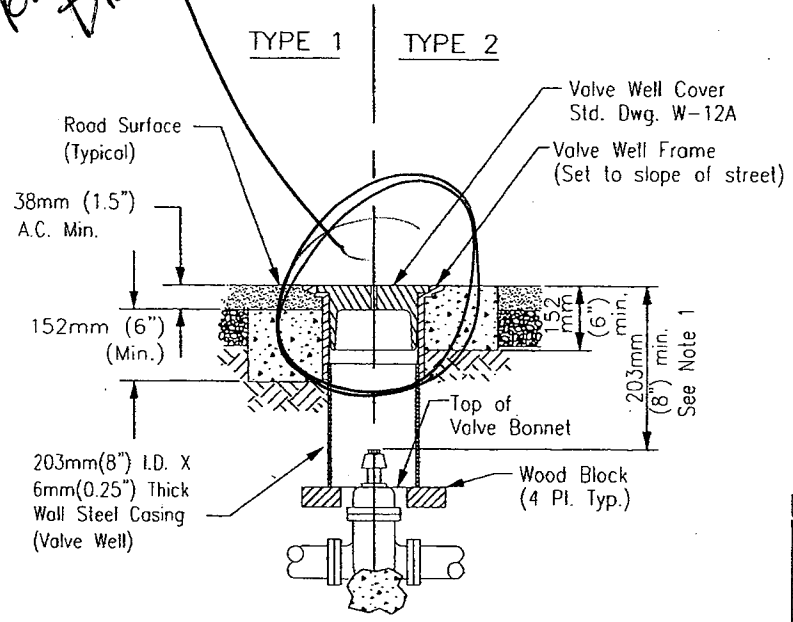
DRAWING
 NUMBER **WV-02**

Concrete
332kg/M³ -C-22Mpa
(560-C-3250)

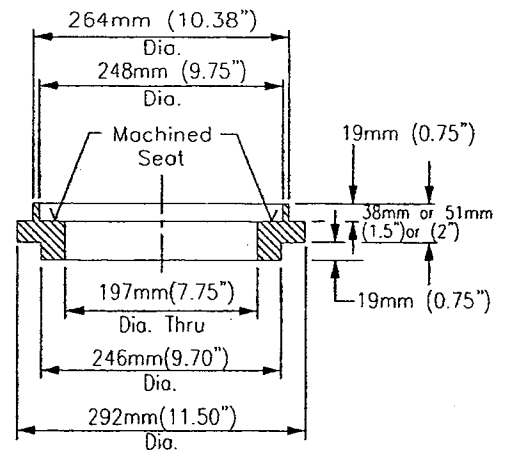
KEEP LID &
SEAT IN
REVISION
DRAWING.



CAST IRON
VALVE WELL FRAME



VALVE WELL AND FRAME
For New Installations



CAST IRON RISER RING
For Retrofitting and
Overlay Projects

NOTES

1. Provide valve key extension for all butterfly valves. For gate valves, provide valve key extension where this dimension exceeds 635mm (25").
2. The surface of the valve well cover shall match the street cross slope and profile.
3. See Standard Drawing W-13 for valve stem extension when required by agency.

Revision	By	Approved	Date
ORIGINAL		G. Parkinson	2/95
Add Metric		T. Stanton	03/03

SAN DIEGO REGIONAL STANDARD DRAWING

VALVE WELL FRAME
AND ASSEMBLY

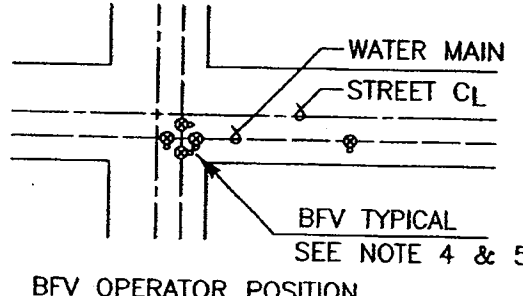
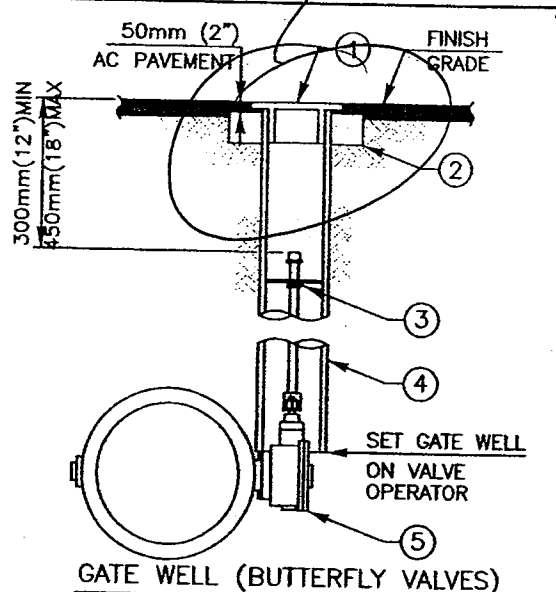
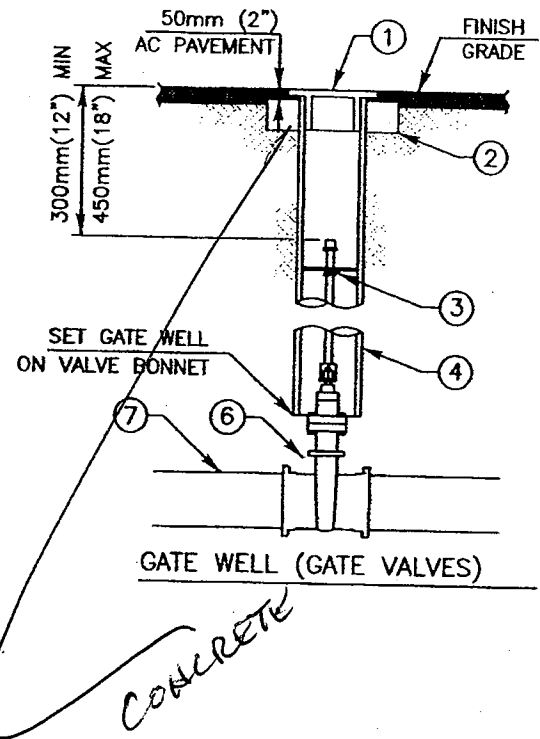
RECOMMENDED BY THE SAN DIEGO
REGIONAL STANDARDS COMMITTEE

T. Stanton 3/10/2003

Chairperson R.C.E. 19246 Date

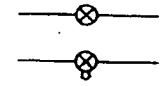
DRAWING NUMBER W-12B

KEEP LID & SEAT (SAME AS W 12-13)



NOTES:

- 1) REFER TO AGENCY SPECIFICATIONS WHERE APPLICABLE
- 2) VALVES DEEPER THAN 1.5m (5') REQUIRE A VALVE STEM EXTENSION
- 3) EXTENSION STEMS SHALL NOT BE ATTACHED/BOLTED TO OPERATING NUT
- 4) GATE WELL AND CAP SHALL BE SET SO THAT NO MORE THAN TWO 25mm (1") ADJUSTMENT RINGS ARE USED
- 5) BFV OPERATORS TO BE LOCATED TO THE CURBLINE SIDE OF WATER MAIN
- 6) BFV'S INSTALLED AT CROSSES OR TEES REQUIRE A FLANGED DUCTILE IRON SPOOL TO BE INSTALLED BETWEEN THE FITTING AND VALVE IN ACCORDANCE WITH THE AGENCY'S SPECIFICATIONS
- 7) GATE WELLS AND CAPS SHALL BE IDENTIFIED AS DESCRIBED ON WV-03
- 8) FOR INLINE VALVE ANCHOR BLOCK INSTALLATION SEE WT-02
- 9) MATERIALS SHALL BE SELECTED FROM THE AGENCY'S APPROVED MATERIALS LIST



LEGEND ON PLANS

ITEM NO	SIZE AND DESCRIPTION	ITEM NO	SIZE AND DESCRIPTION
①	GATE WELL WITH CAP SEE NOTE 7	④	200mm (8") PVC CL 200, C-900 PIPE x REQUIRED LENGTH GATE WELL SEE NOTE 7
②	150mm (6") HIGH x 150mm (6") WIDE COMPACTED ASPHALT-CONCRETE RING	⑤	BUTTERFLY VALVE
③	VALVE STEM EXTENSION SEE NOTES 2 & 3	⑥	RESILIENT WEDGE GATE VALVE
		⑦	WATER MAIN

Revision	By	Approved	Date
ORIGINAL		Kercheval	12/75
Add Metric		I. Stanton	03/03
Repl. W-12A and W-12B		J. Tomasulo	10/04

SAN DIEGO REGIONAL STANDARD DRAWING

GATE WELL CAP INSTALLATION, FOR VALVES 100mm (4") AND LARGER

RECOMMENDED BY THE SAN DIEGO REGIONAL STANDARDS COMMITTEE

I. Stanton 10/28/2004
Chairperson R.C.E. 19246 Date

DRAWING NUMBER **WV-01**