

James, Kamilah

From: James, Kamilah
Sent: Thursday, December 17, 2009 2:28 PM
To: Tim Regello
Subject: Submittal to the Drainage Committee - Item 2009-4
Attachments: RSD-D70 mark up.pdf

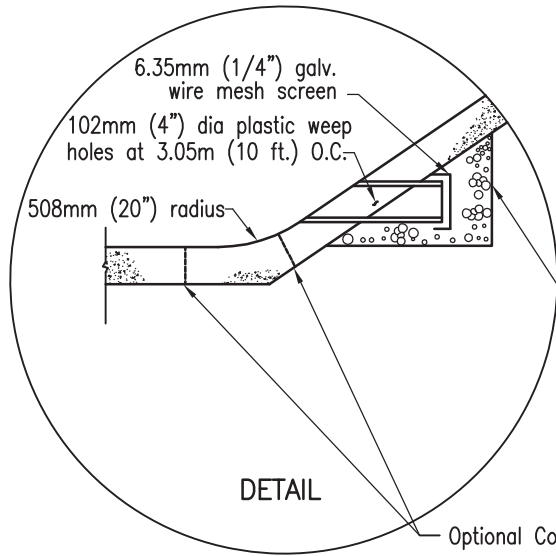
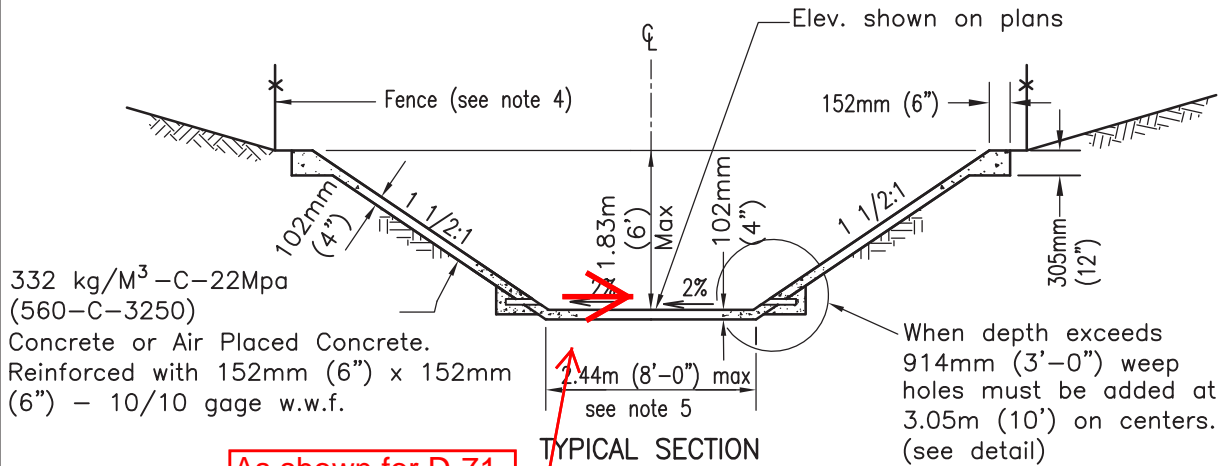
Tim:

Attached please find a proposed revision to the Regional Standard Drawing D-70. It was submitted to the Regional Standards Committee by Mario Arellano, County of San Diego.

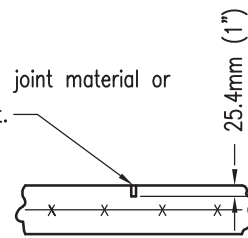
If you have any question or need additional information, please call me at (858) 495-5288.

Thanks,

Kamilah James, P.E.
County of San Diego
Department of Public Works
Design Engineering & Capital Projects
(858) 495-5288
(858) 694-2499 fax

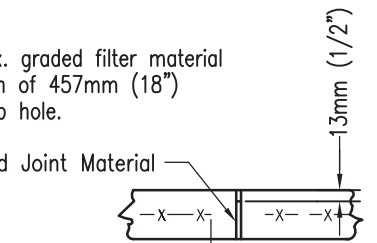


4.76mm (3/16") premolded joint material or
3.20mm (1/8") sawed joint.



25.4mm (1") max. graded filter material placed a minimum of 457mm (18") each side of weep hole.

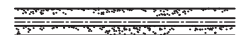
Premolded Joint Material



NOTES

1. A.C. or clay pipe may be substituted for plastic pipe at weep holes.
2. Weakened plane joints shall be placed every 3.66m (12') to 4.57m (15'). Expansion joints shall be placed at all changes of section and at ends of curves.
3. Cutoff walls shall be constructed at each end of the channel along the full width of section. See Standard Drawing D-72.
4. Chainlink fence shall be as required by Agency.
5. For bottom widths greater than 2.44m (8 feet) see Standard Drawing D-71.
6. Reinforcement shown is minimum.

LEGEND ON PLANS



Revision	By	Approved	Date
ORIGINAL		Kercheval	12/75
Add Metric		T. Stanton	03/03
Reformatted		T. Stanton	04/06

SAN DIEGO REGIONAL STANDARD DRAWING

MINOR DRAINAGE CHANNEL

RECOMMENDED BY THE SAN DIEGO REGIONAL STANDARDS COMMITTEE

T. Stanton 3/10/2003

Chairperson R.C.E. 19246 Date

DRAWING NUMBER D-70